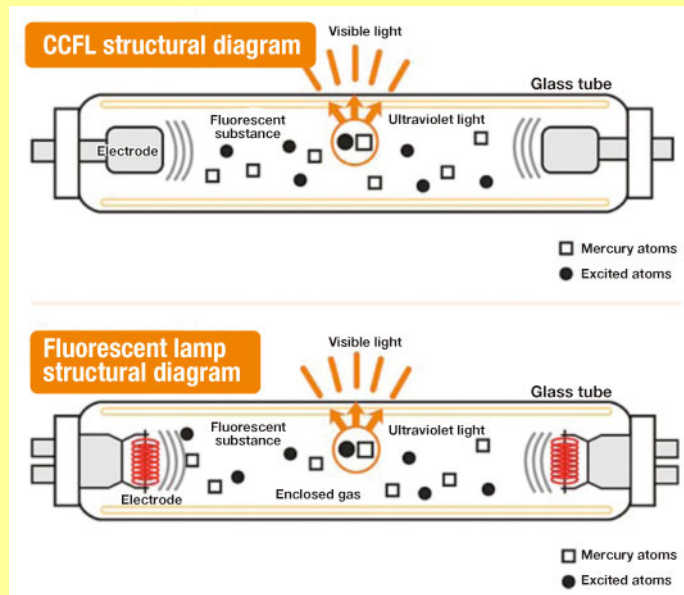


# Demonstration Project on Low-Energy Lighting in Thailand

Hohkohsya Co., Ltd.

Kitakyushu: “Support for the development of environmental business in Asia of small- and mid-sized companies”  
(FY2011) 63

Install and evaluate Solana low-energy lighting in conjunct with local specifications in Thailand, and push for more sales outlets through the numerous Japanese-Thai companies that have expanded into Thailand.



CCFLs used in liquid crystal panel backlights offer the energy savings of LEDs, produce less heat than LEDs, and light up wide areas like fluorescent lamps. Lower costs are achieved through the addition of Hohkohsya’s proprietary circuit board technology.



Start of production and sales at own local company in April 2013

Production

Sales

Siam solana (Thailand)  
Co., Ltd

Own sales route

Japanese representative  
office in Thailand

Local representative  
office in Thailand

株式会社 豊光社

The energy savings our products offer were highly acclaimed after demonstration projects at Nissin Electric Thailand. This has led to production and sales of low-cost models for local use by Nissin Electric Thailand. Manufacturing began in August 2012.