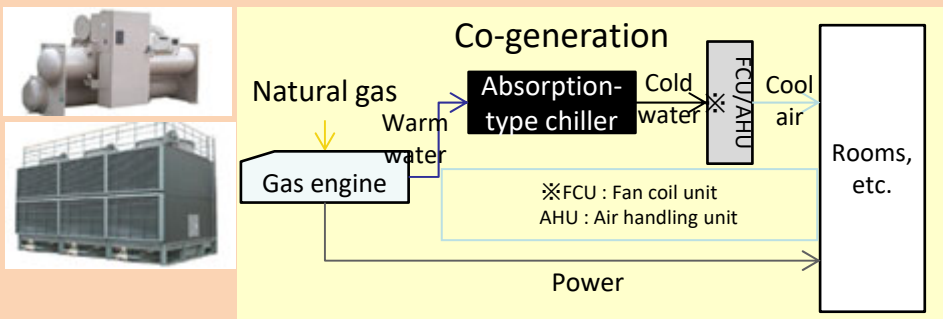
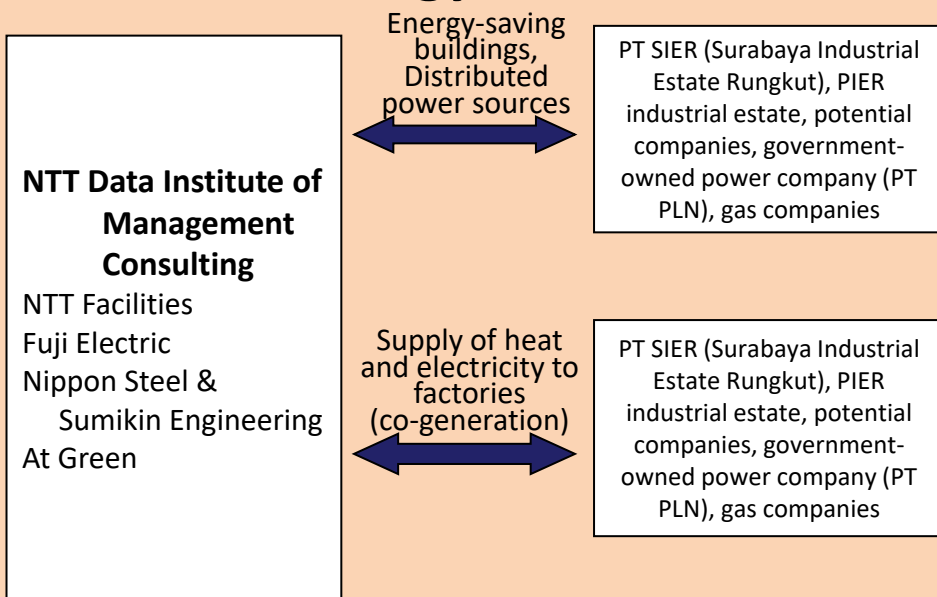


# Study on Construction of Basic Infrastructure to Expand Coverage of Low-Carbon Projects in Surabaya

IGES Kitakyushu Urban Center, NTT Data Institute of Management Consulting, Amita Corporation, other MOEJ: F/S on formation of large-scale JCM project to create a low-carbon society in Asia (FY 2015) ④

## Energy Sector



## Waste Management Sector

